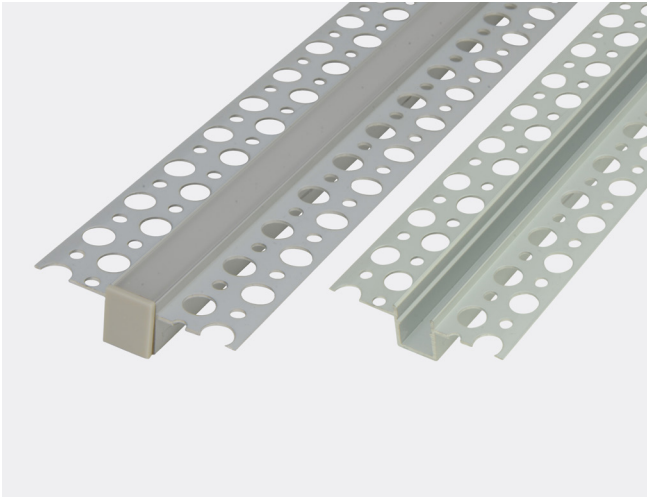


## PRODUCT OVERVIEW

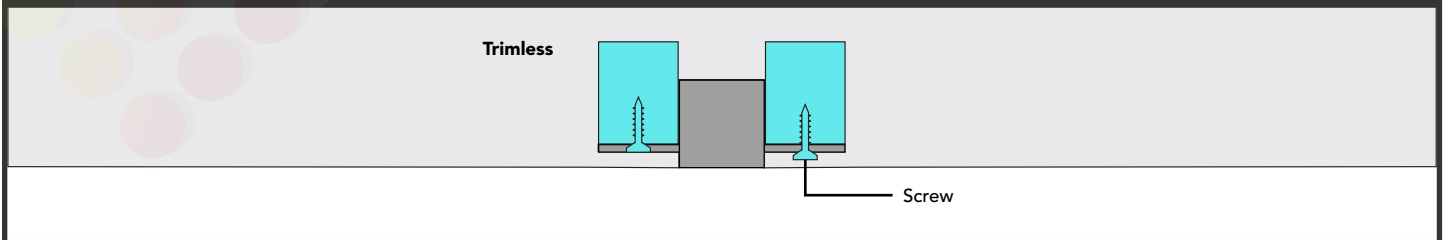


For projects where slim and sleek recessed lighting is desired, our Aluminum Channel "DT1" is a perfect solution. With integrated plaster bead along the flanges, Aluminum profile "DT1" can be easily plastered into any surface of with at least 0.35" of depth without showing any flanges or rough finishes and achieving a smooth recessed finish. Aluminum Extrusion "DT1" can accommodate any LED strip up to 0.38" (9.7mm) wide and dissipates heat from the strip, extending its longevity while also protecting it from the elements. Aluminum extrusion "DT1" is conveniently sold in 8ft lengths as a completed kit including a pair of end-caps, and one premium polycarbonate, UV-resistant frosted lens. Order today to discretely accent your projects!

### Features

- Plaster-in profile creates seamless finish.
- Upwards Facing Corner Design.
- Cuttable using any standard miter saw.
- Achieve **DOTLESS** Lighting.
- Simple Installation.
- Miami, FL facility.

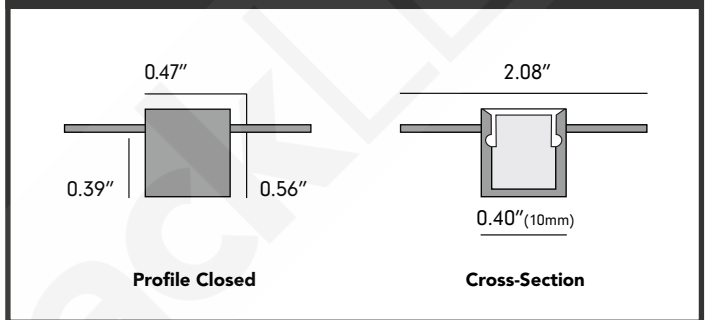
### Mounting Options



### Specifications

Part#	ALUMDT1-96
Length	8ft (94" for free shipping*)
Width	0.47" (11.9mm)
Height	0.56" (14.2mm)
Inner Width	0.40" (10mm)
Recess Cavity	0.39" (9.9mm)
Lens Type	Frosted
MAX Light	3 Watts/ft (recommended)

### Dimensions



### Dots

