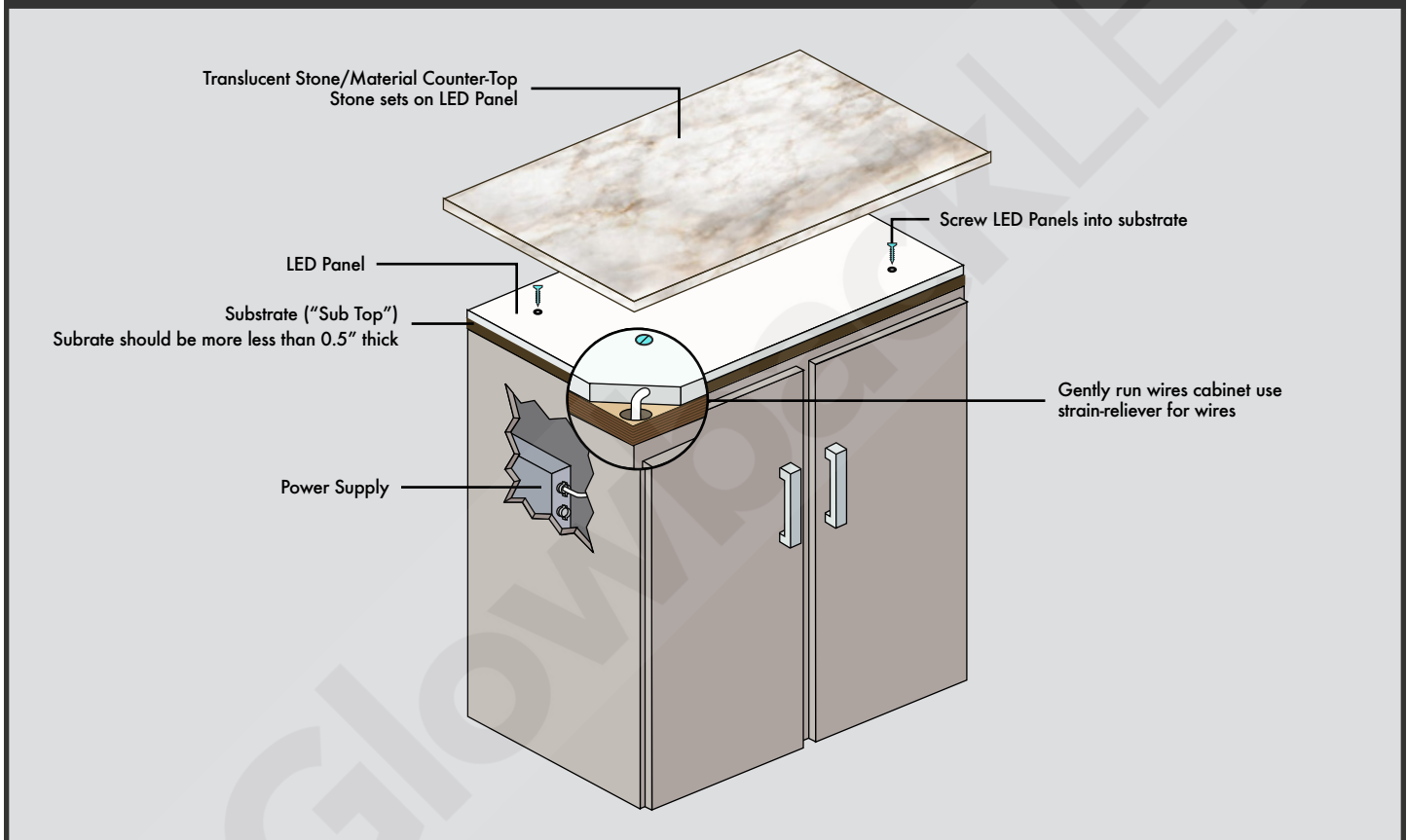


LED PANELS | Horizontal Panel Installations

WARNING LED Panels are intended to be installed by a licensed and qualified electrical contractor. Always consult your local code for mounting and wiring requirements. LED Panels are low-voltage luminaries and require a transformer. **DO NOT** plug LED Panels into 120VAC, this will cause failure.

For horizontal installations such as countertops, kitchen islands, and bar tops, a layer of substrate, like plywood, should be added on top of the cabinet to provide a flat surface for the LED panel to be screwed into. The LED panel can then be easily installed by screwing through the mounting holes. After installation, most stones can be applied directly on top with no need for air-gaps. To conceal the LED panel from view around the edges, consider having a mitered stone return added by your fabricator. Consult with your project manager for additional tips on achieving the best results with your horizontal LED panel applications.

Counter-Top Installation Without Edge (Apron LED Panels)



Diffusion

Some materials, such as stained or frosted glass, may not adequately hide mounting holes and seams when multiple LED panels are used to backlight them. Our team provides additional diffusion techniques to achieve optimal results, such as using a small air-gap with a diffuser. If you are unsure if your material requires additional techniques, our team can help by reviewing a sample. For the best outcome, send us a sample of your material and we'll design a comprehensive solution for perfectly even lighting.

Avoid Adhesives

Avoid using adhesives to attach material to our LED panels, as they can cause lighting anomalies and potential future issues. We recommend using mechanical mounting methods or relying on gravity (for horizontal installations) to secure the stone. Use the provided layouts as a guide for designing your optimal mounting method. If you need assistance with the design, our team is available to help.

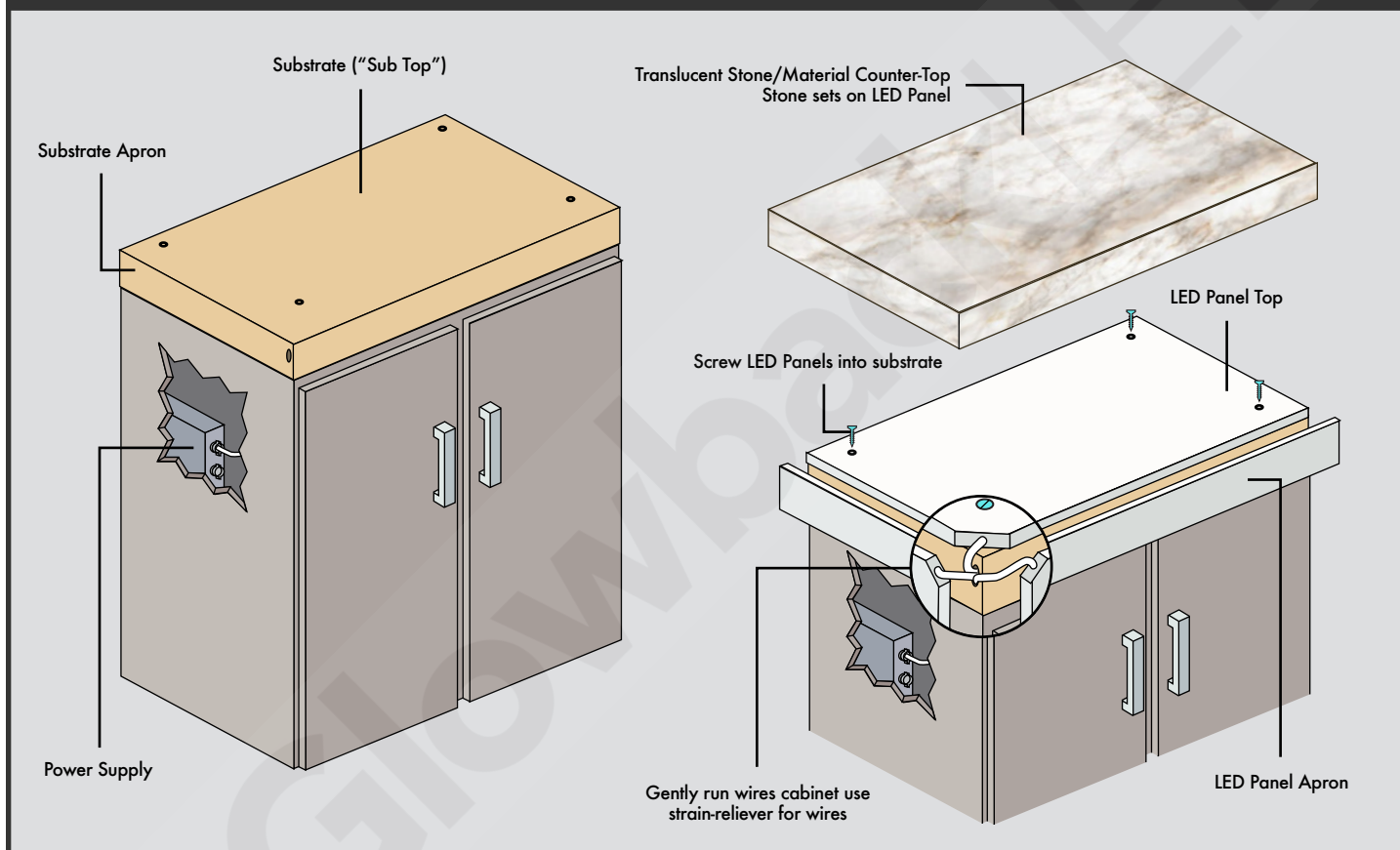
***WARRANTY becomes void if any of the above precautions are not followed. Bluegate Inc will not be responsible for damaged caused by improper use and installation of LED Panel lighting systems.**

LED PANELS | Horizontal Panel Installations

WARNING LED Panels are intended to be installed by a licensed and qualified electrical contractor. Always consult your local code for mounting and wiring requirements. LED Panels are low-voltage luminaries and require a transformer. **DO NOT** plug LED Panels into 120VAC, this will cause failure.

For horizontal installations such as countertops, kitchen islands, and bar tops, a layer of substrate, like plywood, should be added on top of the cabinet to provide a flat surface for the LED panel to be screwed into. The LED panel can then be easily installed by screwing through the mounting holes. After installation, most stones can be applied directly on top with no need for air-gaps. To conceal the LED panel from view around the edges, consider having a mitered stone return added by your fabricator. Consult with your project manager for additional tips on achieving the best results with your horizontal LED panel applications.

Counter-Top Installation With Edge (Apron LED Panels)



Diffusion

Some materials, such as stained or frosted glass, may not adequately hide mounting holes and seams when multiple LED panels are used to backlight them. Our team provides additional diffusion techniques to achieve optimal results, such as using a small air-gap with a diffuser. If you are unsure if your material requires additional techniques, our team can help by reviewing a sample. For the best outcome, send us a sample of your material and we'll design a comprehensive solution for perfectly even lighting.

Avoid Adhesives

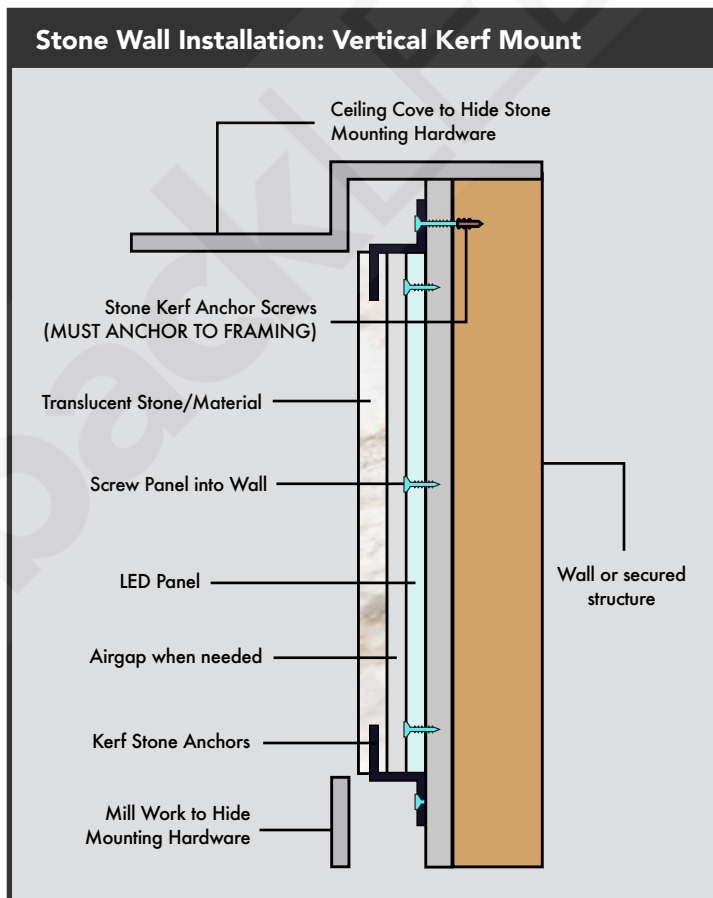
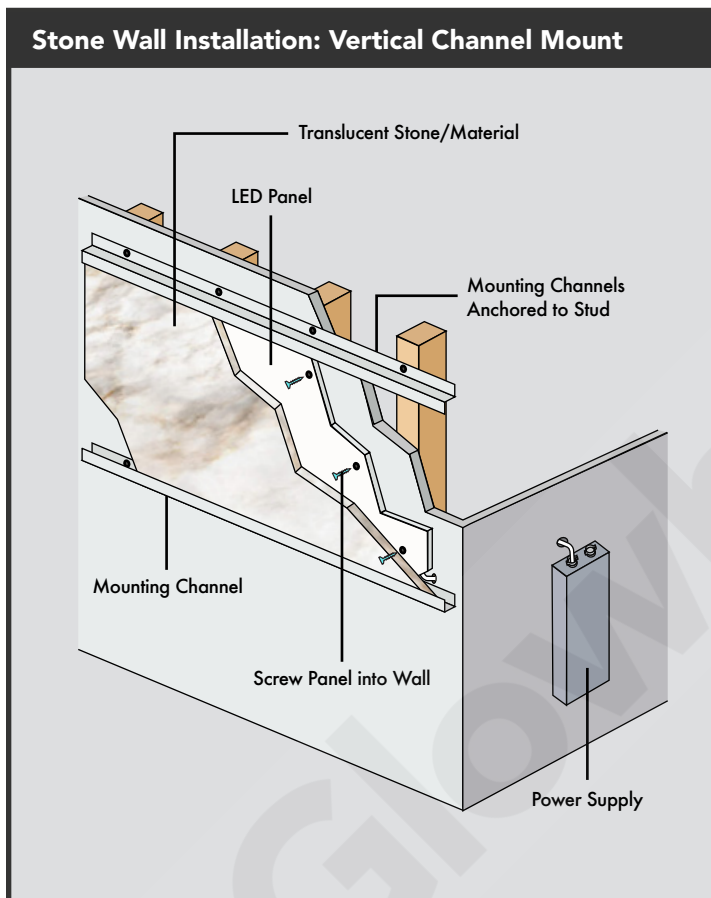
Avoid using adhesives to attach material to our LED panels, as they can cause lighting anomalies and potential future issues. We recommend using mechanical mounting methods or relying on gravity (for horizontal installations) to secure the stone. Use the provided layouts as a guide for designing your optimal mounting method. If you need assistance with the design, our team is available to help.

***WARRANTY becomes void if any of the above precautions are not followed. Bluegate Inc will not be responsible for damaged caused by improper use and installation of LED Panel lighting systems.**

LED PANELS | Vertical Panel Installations

WARNING These are **ONLY** recommended practices, mounting stone to a wall might require submission of engineering calculations for approval by a **STRUCTURAL ENGINEER**. LED Panels are intended to be installed by a licensed and qualified electrical contractor. Always consult your local code for mounting and wiring requirements. LED Panels are low-voltage luminaries and require a transformer. **DO NOT** plug LED Panels into 120VAC, this will cause failure.

Installing the LED panel vertically is straightforward. Simply screw the panel into the wall, connect the power-feed to the power supply, and power up. However, a mechanical mounting system is necessary for the material. Large stone slabs are too heavy to be attached directly to the LED panel using adhesives. The "stand-off method," which involves anchoring a "hangar screw" to the framing and using a cap to secure the stone, is a common installation method. For a more discreet solution, you can use the "channel mounting method," which involves anchoring channels to the framing and either wrapping them around the stone for a visible frame, or inserting them into a "kerf" or slot in the stone for a seamless, invisible frame.



Diffusion

Some materials, such as stained or frosted glass, may not adequately hide mounting holes and seams when multiple LED panels are used to backlight them. Our team provides additional diffusion techniques to achieve optimal results, such as using a small air-gap with a diffuser. If you are unsure if your material requires additional techniques, our team can help by reviewing a sample. For the best outcome, send us a sample of your material and we'll design a comprehensive solution for perfectly even lighting.

Avoid Adhesives

Avoid using adhesives to attach material to our LED panels, as they can cause lighting anomalies and potential future issues. We recommend using mechanical mounting methods or relying on gravity (for horizontal installations) to secure the stone. Use the provided layouts as a guide for designing your optimal mounting method. If you need assistance with the design, our team is available to help.

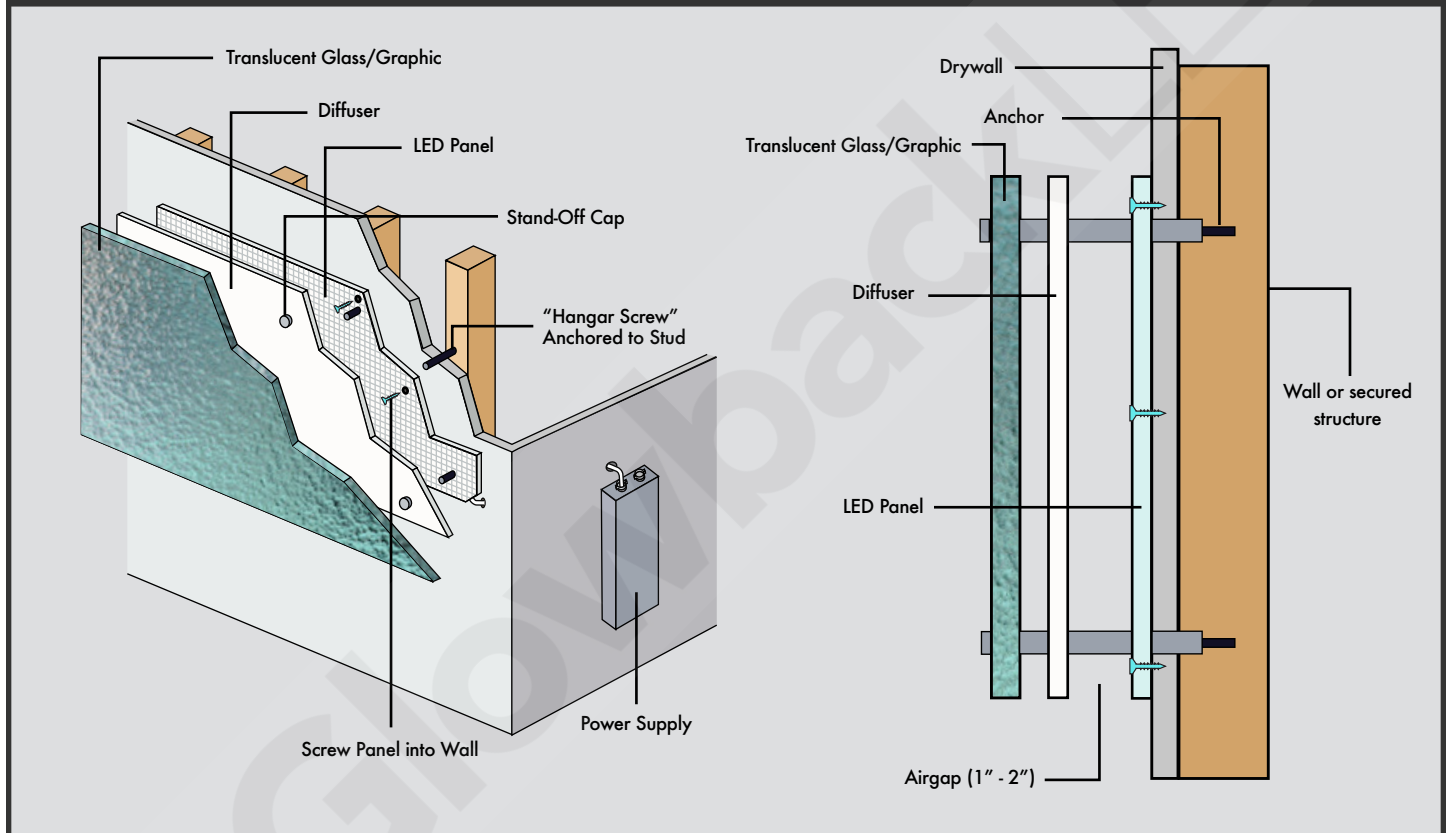
***WARRANTY becomes void if any of the above precautions are not followed. Bluegate Inc will not be responsible for damaged caused by improper use and installation of LED Panel lighting systems.**

LED PANELS | Vertical Panel Installations

WARNING These are **ONLY** recommended practices, mounting stone to a wall might require submission of engineering calculations for approval by a **STRUCTURAL ENGINEER**. LED Panels are intended to be installed by a licensed and qualified electrical contractor. Always consult your local code for mounting and wiring requirements. LED Panels are low-voltage luminaries and require a transformer. **DO NOT** plug LED Panels into 120VAC, this will cause failure.

Installing the LED panel vertically is straightforward. Simply screw the panel into the wall, connect the power-feed to the power supply, and power up. However, a mechanical mounting system is necessary for the material. Large stone slabs are too heavy to be attached directly to the LED panel using adhesives. The "stand-off method," which involves anchoring a "hangar screw" to the framing and using a cap to secure the stone, is a common installation method. For a more discreet solution, you can use the "channel mounting method," which involves anchoring channels to the framing and either wrapping them around the stone for a visible frame, or inserting them into a "kerf" or slot in the stone for a seamless, invisible frame.

Glass/Graphic Wall Installation



Diffusion

Some materials, such as stained or frosted glass, may not adequately hide mounting holes and seams when multiple LED panels are used to backlight them. Our team provides additional diffusion techniques to achieve optimal results, such as using a small air-gap with a diffuser. If you are unsure if your material requires additional techniques, our team can help by reviewing a sample. For the best outcome, send us a sample of your material and we'll design a comprehensive solution for perfectly even lighting.

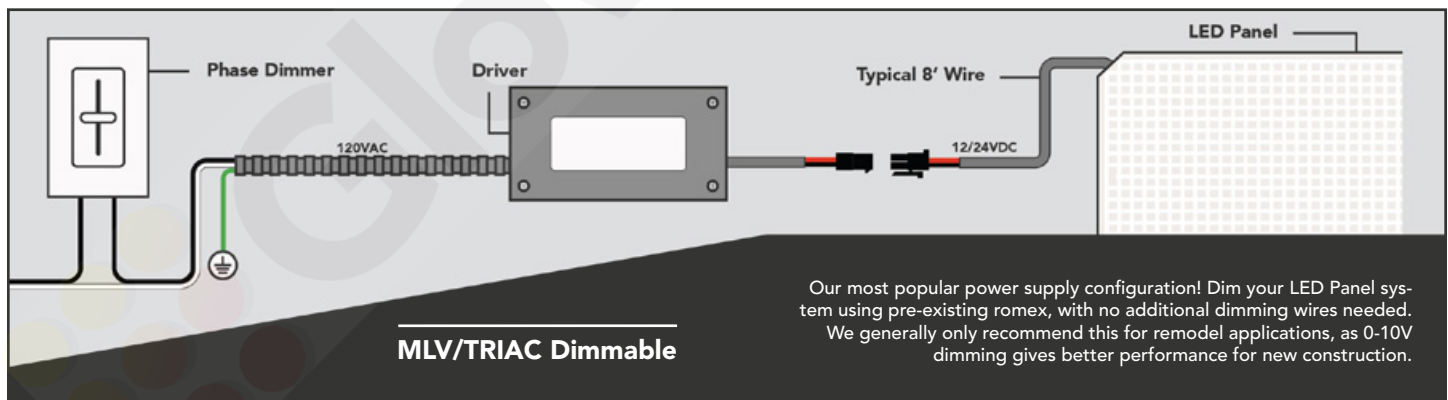
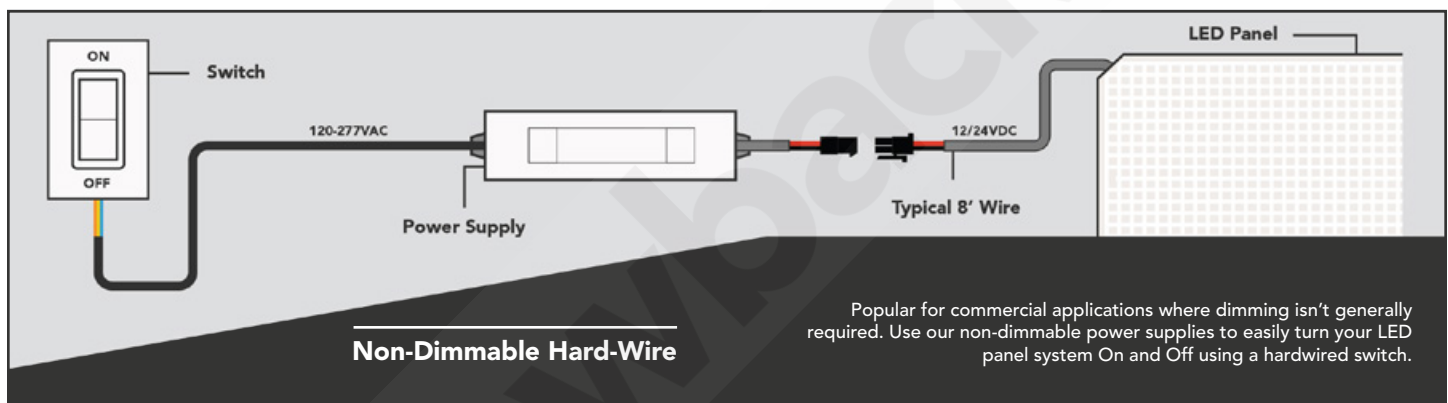
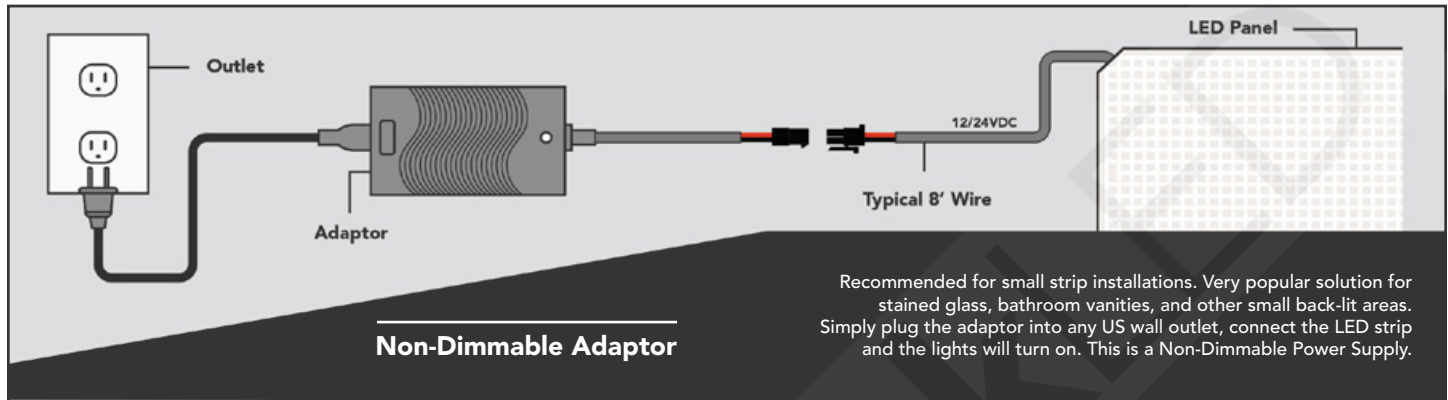
Avoid Adhesives

Avoid using adhesives to attach material to our LED panels, as they can cause lighting anomalies and potential future issues. We recommend using mechanical mounting methods or relying on gravity (for horizontal installations) to secure the stone. Use the provided layouts as a guide for designing your optimal mounting method. If you need assistance with the design, our team is available to help.

***WARRANTY becomes void if any of the above precautions are not followed. Bluegate Inc will not be responsible for damaged caused by improper use and installation of LED Panel lighting systems.**

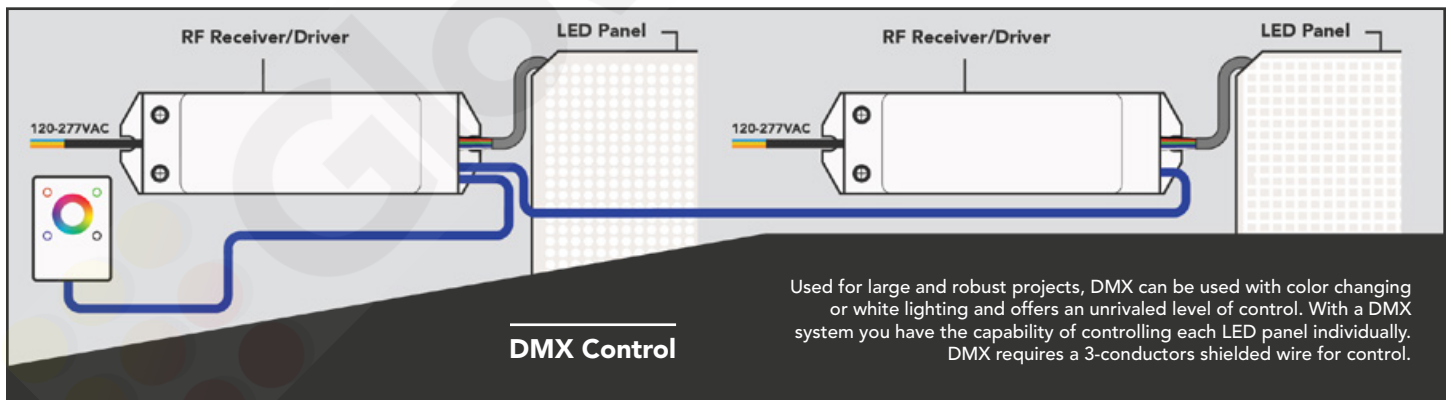
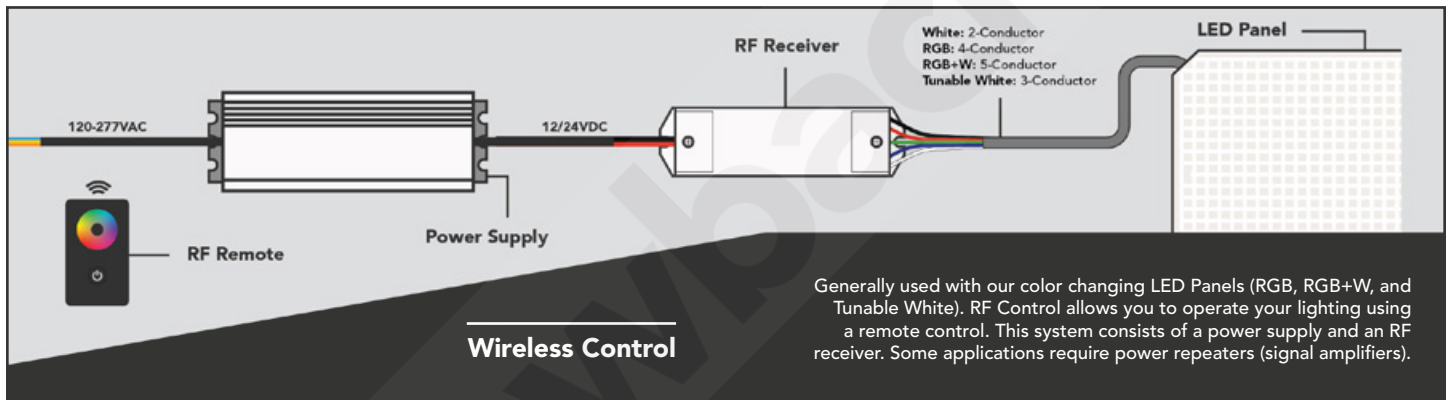
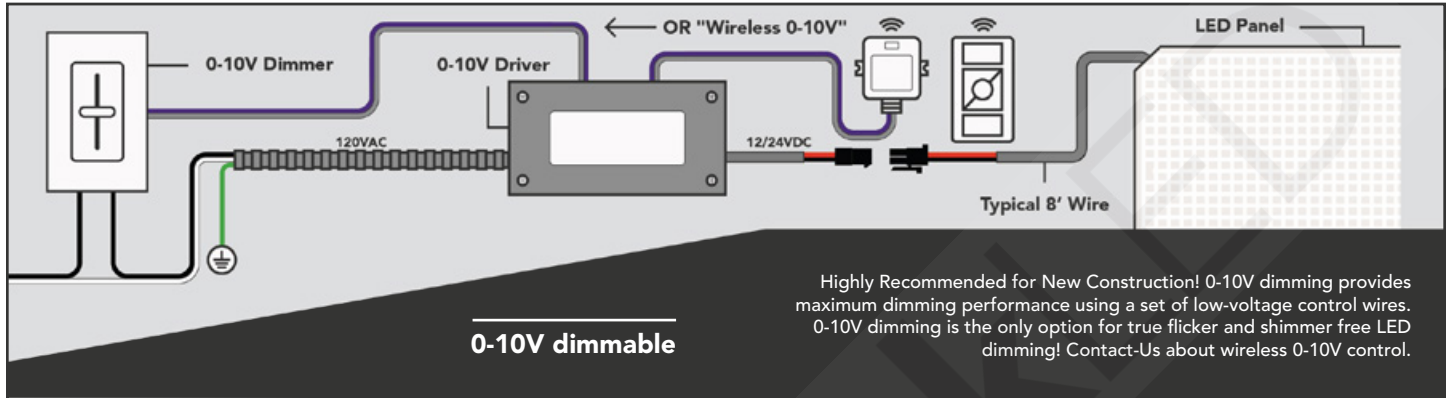
REMOTE POWER SUPPLY | Low Voltage LED Panels

All of our LED Panels require a remote power supply and/or controller to operate. Seamlessly integrate our LED Panel systems with any type of home or building automation system. Unless otherwise specified, all LED Panel systems, including power supplies and controllers, are shipped to you pre-configured to facilitate installation. Power-Supplies will come "rigged" with connectors to match the connectors coming off the LED panels. When ordering, simply give us some details about the level of control that you want, and our team will design a turn-key control system fit to meet your needs.



REMOTE POWER SUPPLY | Low Voltage LED Panels

All of our LED Panels require a remote power supply and/or controller to operate. Seamlessly integrate our LED Panel systems with any type of home or building automation system. Unless otherwise specified, all LED Panel systems, including power supplies and controllers, are shipped to you pre-configured to facilitate installation. Power-Supplies will come "rigged" with connectors to match the connectors coming off the LED panels. When ordering, simply give us some details about the level of control that you want, and our team will design a turn-key control system fit to meet your needs.



LED PANEL HANDLING | Instructions

Instructions



HANDLE CAREFULLY

Use care when handling and installing LED Panels. LED Panels are delicate and are easily damaged if handled without care.



DO NOT USE ADHESIVES

Use of adhesives is strongly discouraged and can result in uneven lighting. Alternative mounting methods can be engineered.



DO NOT FORCE WIRES

Use care when handling wires. They are the weakest link on LED Panels. Wires are easily damaged if forced or bent beyond product limitations.



REMOVE PROTECTIVE FILM

LED Panels are delivered with protective film. Remove protective film before installing translucent materials.



DO NOT DRILL/CUT

LED Panel projects require precise measurements and drawings. We fabricate LED Panels with all the necessary modifications for installation.



TEST BEFORE FINAL INSTALLATION

Test operation of LED Panels before installing translucent material. ALL LED PANELS ARE TESTED BEFORE DELIVERY.

DO NOT FLEX/BOW

Do not allow LED Panels to flex or bow when lifting or transporting them. Allowing them to bend will damage the internal lighting components.

